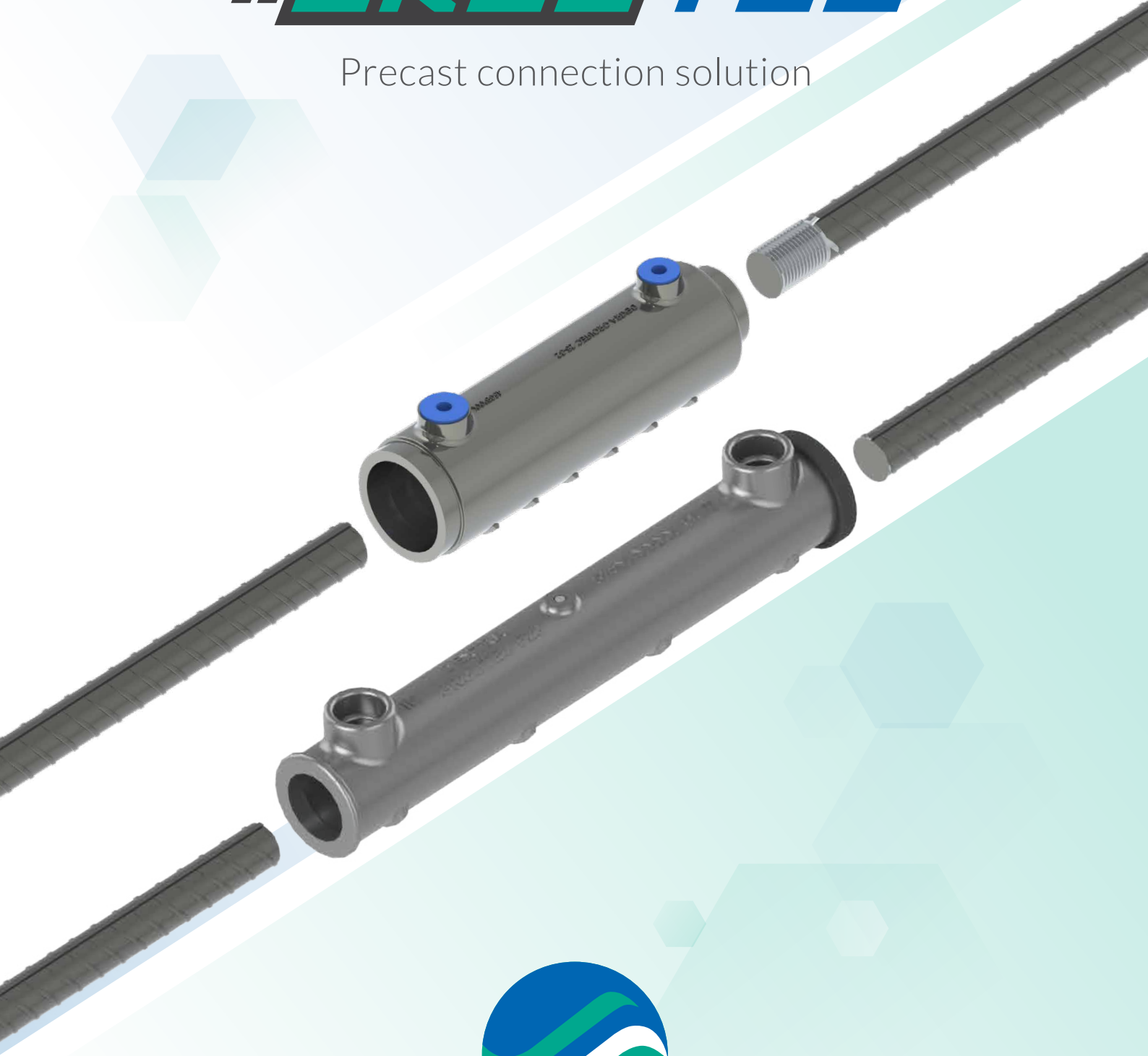


EROWTEC

Precast connection solution



Dextra

www.dextragroup.com

Product features

Groutec is a mechanical splicing system specially designed for the connection of precast concrete elements. It is designed and manufactured in compliance with Eurocode 2, BS 8110, ACI 318, IBC and AASHTO.

Benefits

- Easily connect two precast elements with no requirement for in-situ wet concrete joint.
- Compact and economical splicing solution with one threaded end compatible with Bartec, Fortec, Rolltec or Griptec type threads (for S and L models) or fully grouted with no thread required (for F model).
- Can be used with non-shrink grout easily available from major manufacturers. Groutec has been successfully tested with:
 - Sika214 from SIKA *
 - Lanko 701 from PAREX-DAVCO *
 - Cemrok EasiFlow from POZAMENT *
 - MasterFlow 870 from BASF *
 - Conbextra GP from FOSROC *
- The same coupler model can also be used for the connection of different diameters (transition splices).

Note: (*) Dextra is not the owner of the brands mentioned here. These protected trademark rights remain the entire exclusivity of their respective owners and are only mentioned here as a reference in relation with Dextra products.

Three alternative designs

Groutec L

for « Large tolerance », aims at easing your site operation by allowing a larger axial misalignment tolerance.



Groutec L
Large tolerance

Allows connection of continuation bars that are not perfectly aligned: Misalignments of up to 12mm for small bars (Ø12-Ø20), up to 20 mm for medium bars (Ø25) and up to 25 mm for large bars (Ø28-Ø40) can be accommodated.

Groutec S

for « Slim body », allows precasters to create slim columns and wall panels. Your grout consumption and preparation time will also be significantly reduced.



Groutec S
Slim outside diameter

Groutec F

For « Fully grouted », allows the connection of two rebars without the need of any threading procedure.



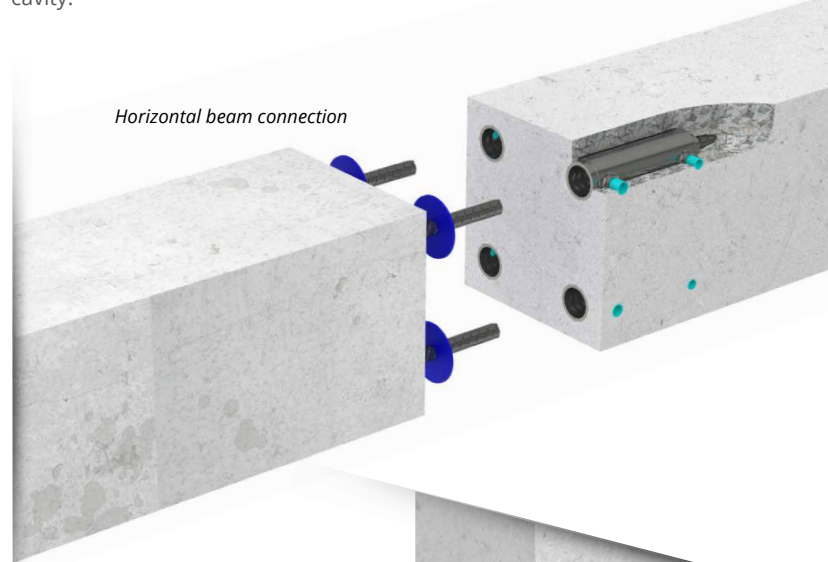
Groutec F
Fully grouted

Applications

Groutec is designed to connect the precast elements either horizontally or vertically.

In horizontal applications and in vertical applications with the Groutec coupler installed in the top element, the connection is achieved by injecting the grout through the inlet pipe.

In vertical applications with the Groutec coupler installed in the bottom element, the grout can simply be poured by gravity directly into the coupler cavity.

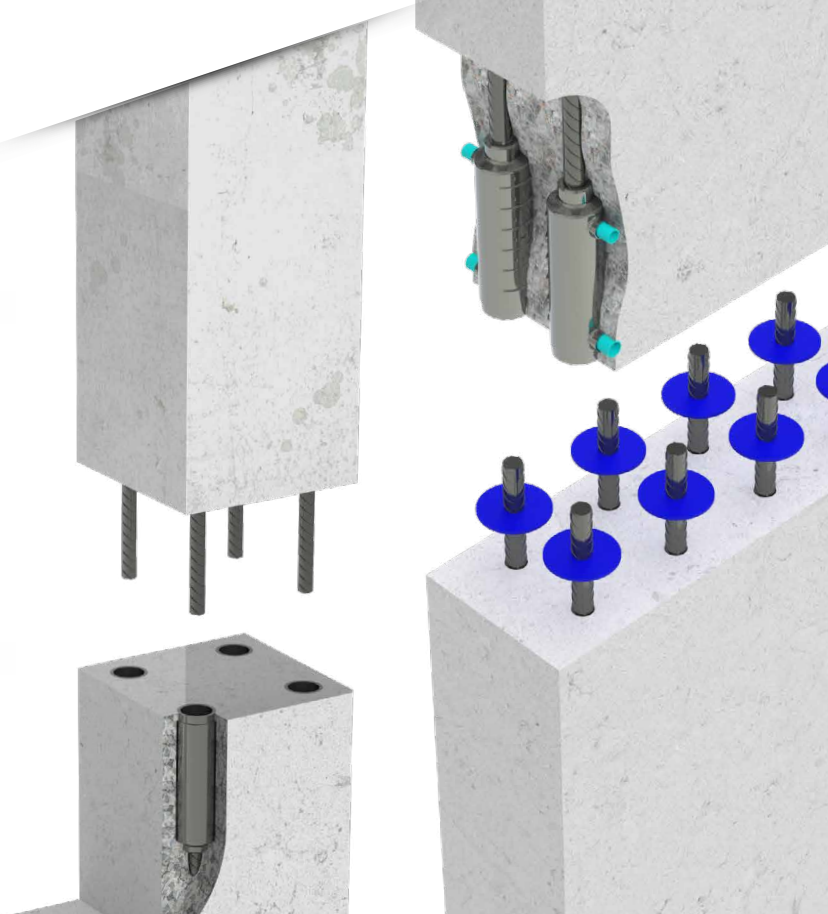


Horizontal beam connection



Column connection using Groutec in the bottom element.

In this case, the use of injection tubes is not necessary. Grouting can simply be done by pouring mortar into the cavity.

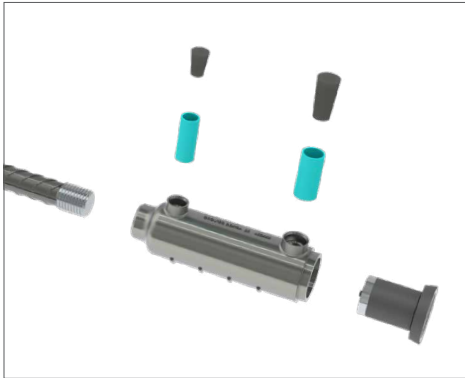


Typical wall connection using Groutec in top element.

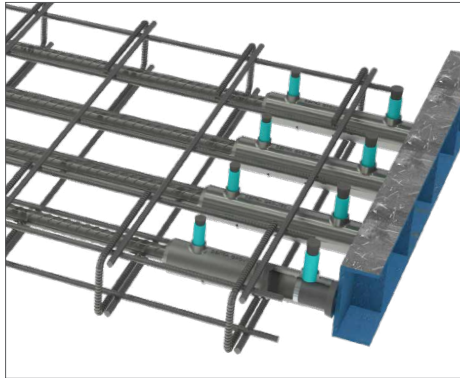
Sealing disc will prevent mortar from leaking during grouting operation.

Installation sequence

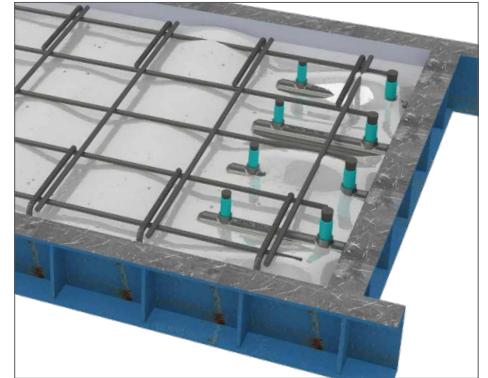
1 Pre-position Groutec onto the formwork (using a positioner if needed). Screw in the threaded rebar (for S and L models only).



2 Install reinforcement in the formwork.



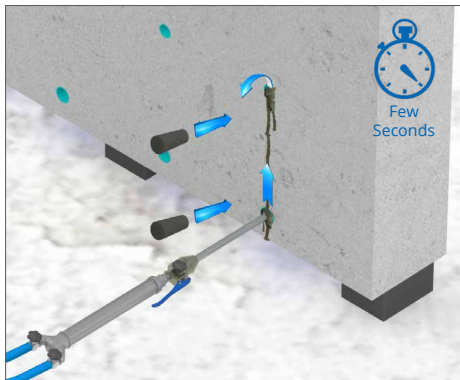
3 Proceed with casting. Once ready, open the formwork. Remove plugs and positioners.



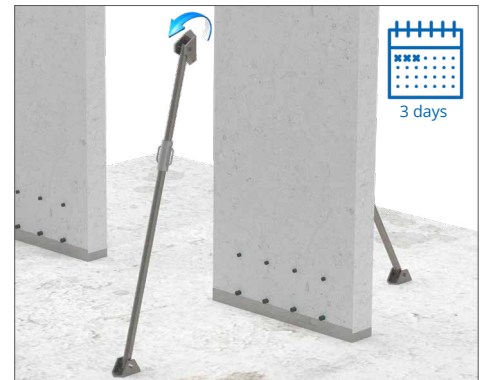
4 Transport element to its final position over the dowel bars, straighten and brace.



5 Inject non-shrink grout. Seal the coupler with plugs when grout overflows.



6 Bracing can be removed after drying time.



For more detailed installation instructions and design instructions, please check www.dextragroup.com

Traceability

All Groutec couplers are marked with a code that includes the batch number, allowing Dextra to retrieve, among other data, the following information:

- Material certificate
- QC inspection report
- Product test report
- Mould number



CAD & BIM



Groutec coupler design files are available at www.dextragroup.com to download in the following formats:

- AutoCAD palette tool
- Tekla attributes for "Rebar Anchor" tool
- Revit 2019 product family

or other formats, please consult us at cadbim@dextragroup.com

Quality Assurance



Approvals & Certifications



003-01/144-2020

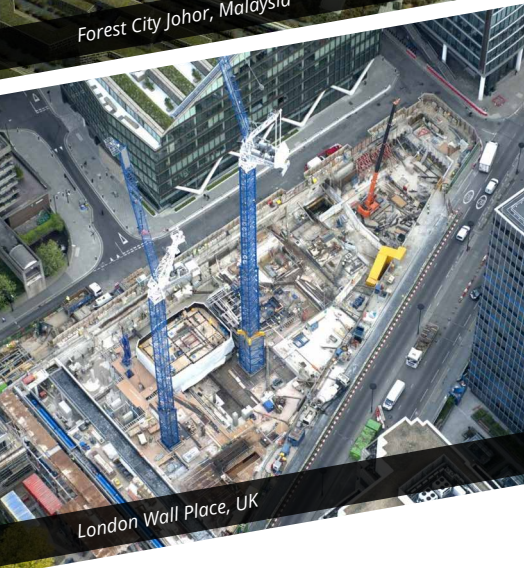
IAPMO UES ER-312



Battersea Power Station Development Phase III, UK



Forest City Johor, Malaysia



London Wall Place, UK



Commercial presence
in more than
55 countries



Dextra

HEADQUARTERS THAILAND

Dextra Manufacturing Co.,Ltd.
Tel: (66) 2 021 3800

CHINA

Dextra Building Products (Guangdong) Co.,Ltd.
Tel: (86) 20 2261 9901

HONG KONG

Dextra Pacific Ltd.
Tel: (852) 2511 8236

EUROPE

Dextra Europe SARL
Tel: (33) 1 45 53 70 82

MIDDLE EAST

Dextra Middle East FZE
Tel: (971) 4886 5620

INDIA

Dextra India Pvt.,Ltd.
Tel: (91) 22 2839 2694

NORTH AMERICA

Dextra America Inc.
Tel: (1) 206 742 6020

LATIN AMERICA

Dextra Latam
Tel: (507) 6454 8100